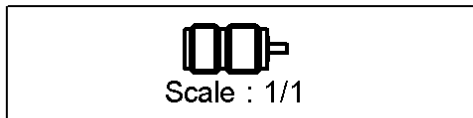
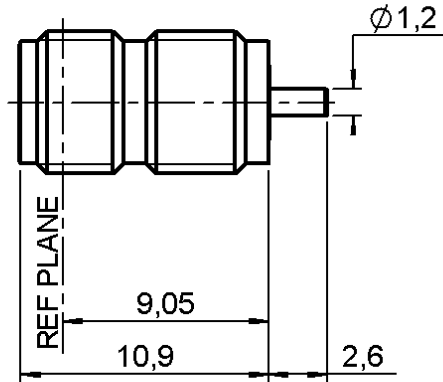


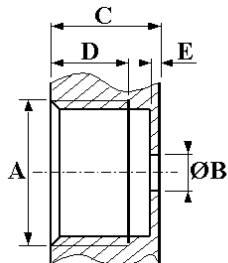
SPECIAL JACK HERMETIC RECEPTACLE

R125.608.000

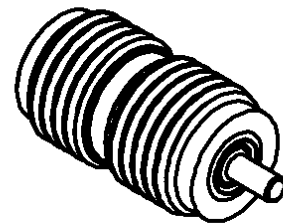
Series : SMA



PANEL CUT OUT



	mm	
	Maxi	mini
A	¼-36 UNS-2B	
B	3	2.75
C	6.6	6.4
D	4.55	4.3
E	1.43	1.35



All dimensions are in mm.



COMPONENTS	MATERIALS	PLATINGS (µm)
BODY	STAINLESS STEEL	GOLD .
CENTER CONTACT	BERYLLIUM COPPER	GOLD 2.5 OVER NICKEL 2
OUTER CONTACT	-	-
INSULATOR	PTFE	-
GASKET	-	-
OTHERS PARTS	-	-
-	-	-
-	-	-

Issue : 0223 G

In the effort to improve our products, we reserve the right to make changes judged to be necessary.



SPECIAL JACK HERMETIC RECEPTACLE

R125.608.000

Series : SMA

PACKAGING

SPECIFICATION

Standard	Unit	Other
1	-	Contact us

ELECTRICAL CHARACTERISTICS

ENVIRONMENTAL

Impedance		50 Ω
Frequency		0-6.4 GHz
VSWR	1.10 +	0.010 x F(GHz) Maxi
Insertion loss		0.3* √F(GHz) dB Maxi
RF leakage	- (NA - F(GHz)) dB Maxi
Voltage rating		500 Veff Maxi
Dielectric withstanding voltage		1000 Veff mini
Insulation resistance		5000 MΩ mini

Operating temperature	-40/+100 ° C
Hermetic seal	10-5 Atm.cm3/s
Panel leakage	NA

OTHERS CHARACTERISTICS

Assembly instruction **NA**

Others :

* Coaxial Transmission Line Only

MECHANICAL CHARACTERISTICS

Center contact retention		
Axial force – Mating end	27	N mini
Axial force – Opposite end	27	N mini
Torque	NA	N.cm mini
Recommended torque		
Mating	NA	N.cm
Panel nut	100	N.cm
Mating life	500	Cycles mini
Weight	1.200	g

Issue : 0223 G

In the effort to improve our products, we reserve the right to make changes judged to be necessary.

